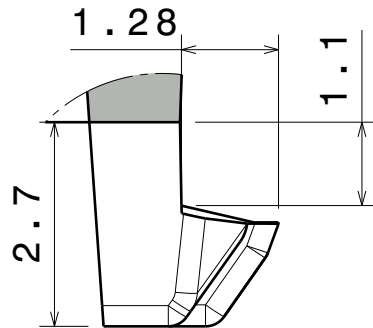
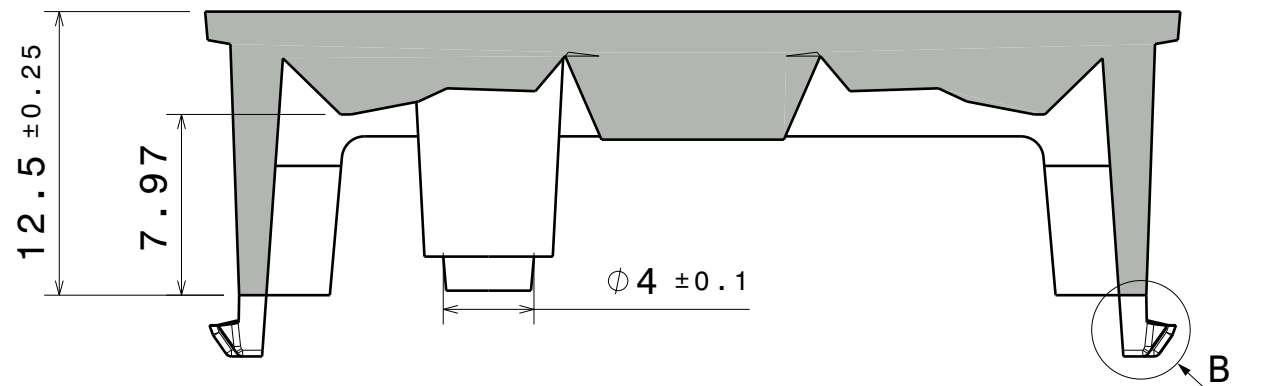
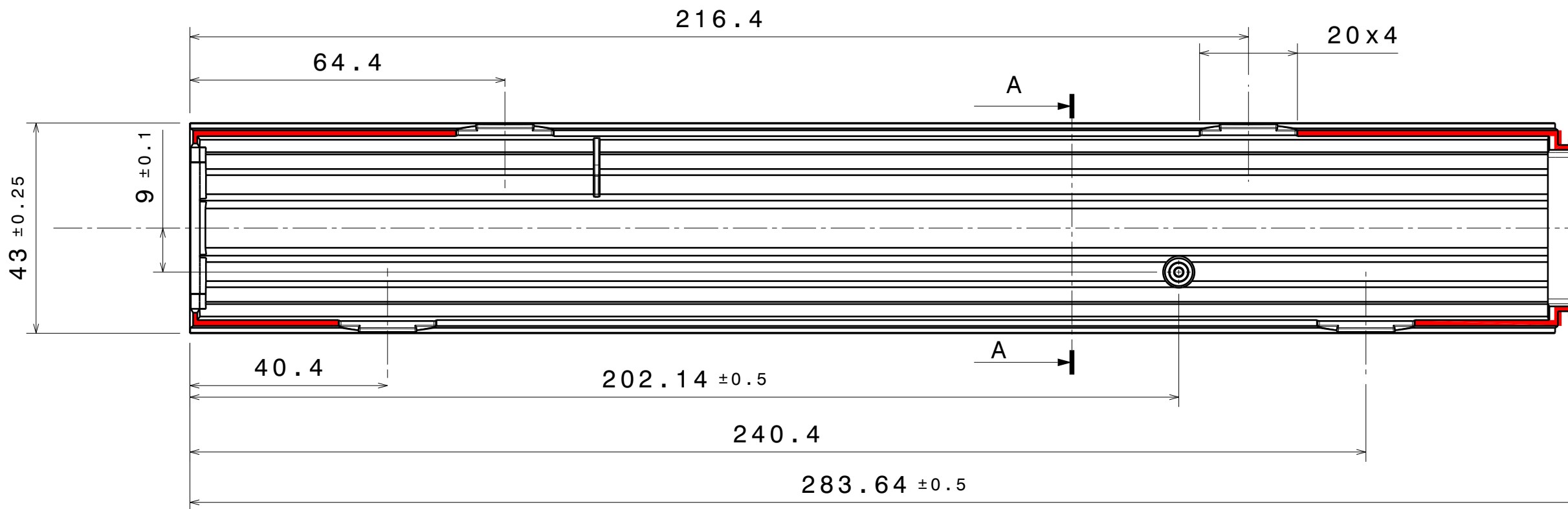
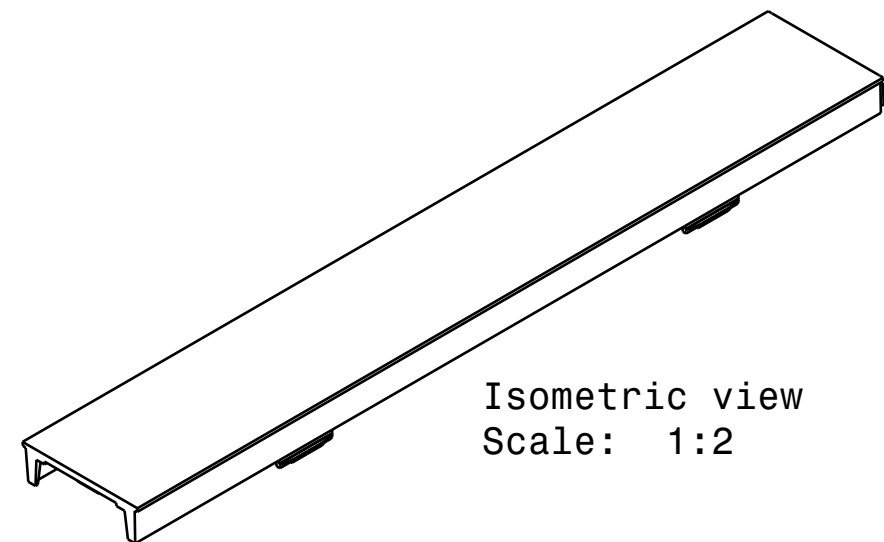


Section view A-A
Scale: 3:1



Detail B
Scale: 10:1



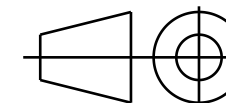
PART	TYPE	MATERIAL	COLOR / COATING
F17169_LINNEA-GC2-ZT25	LENS	PMMA	CLEAR

MECHANICAL DRAWING

PRODUCT
LINNEA-G2

Plastic moulding general tolerances according to DIN 16901-130 and applies if not otherwise shown in the drawing.
Silicone moulding general tolerances according to ISO 3302-1 Class M3 and applies if not otherwise shown in the drawing.

FIRST ANGLE PROJECTION:



LEDiL®

This drawing is the property of LEDiL Oy. It may not be copied or otherwise distributed without prior written permission from LEDiL Oy.

SCALE 1:1

WEIGHT 59,707g

A3 SHEET 1/1

Notes

- PCB or heatsink level.
- LED location
- Ensure LED fitting from a product specific 3D model available from www.ledil.com
- For more details about installation please see LEDiL Installation Guide on www.ledil.com

4

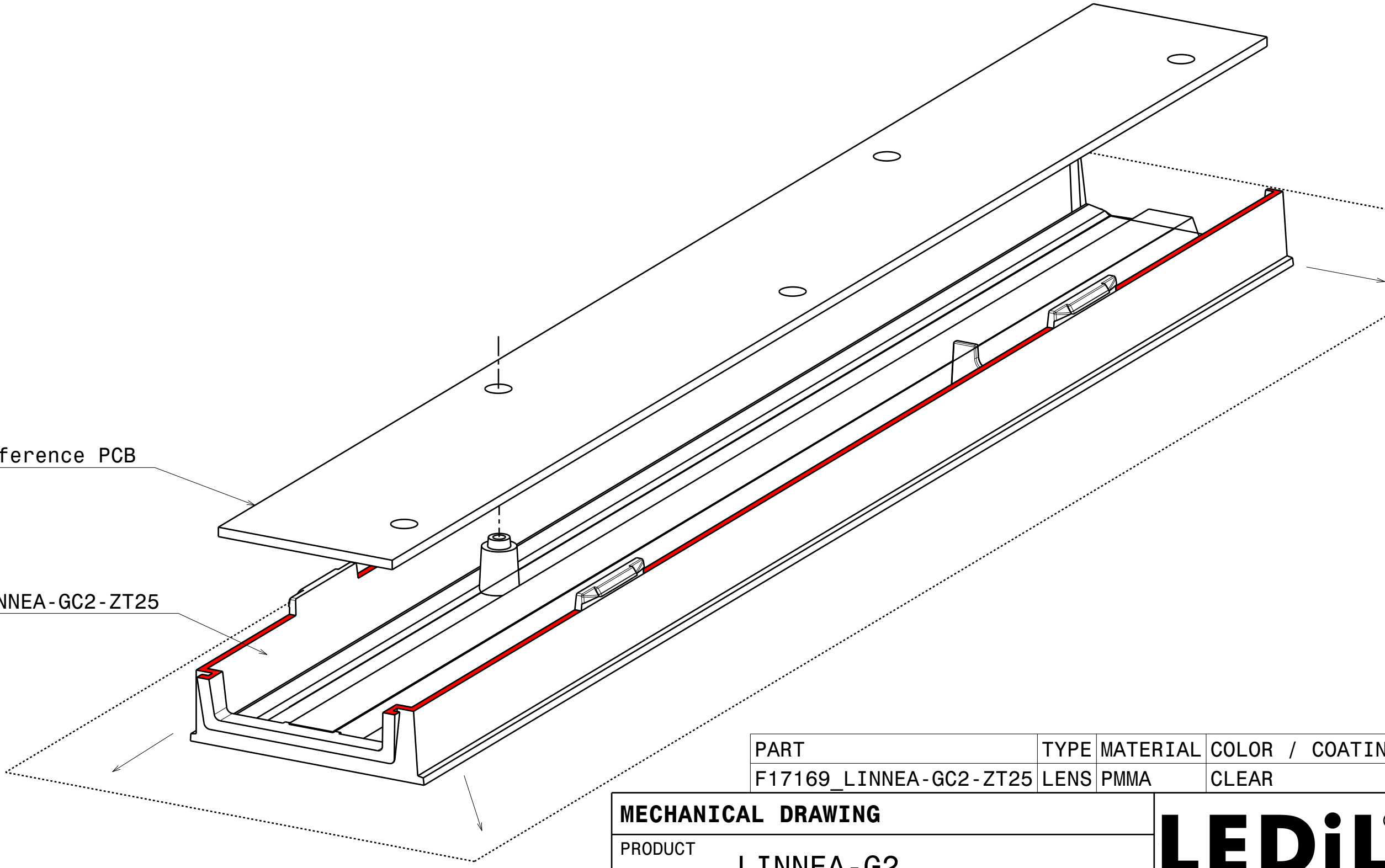
3

2

1

Reference PCB

C17169 LINNEA-GC2-ZT25



PART	TYPE	MATERIAL	COLOR / COATING
F17169_LINNEA-GC2-ZT25	LENS	PMMA	CLEAR

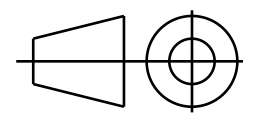
MECHANICAL DRAWING

PRODUCT
LINNEA-G2



Plastic moulding general tolerances according to DIN 16901-130 and applies if not otherwise shown in the drawing.
Silicone moulding general tolerances according to ISO 3302-1 Class M3 and applies if not otherwise shown in the drawing.

FIRST ANGLE PROJECTION:



This drawing is the property of LEDiL Oy. It may not be copied or otherwise distributed without prior written permission from LEDiL Oy.

SCALE	1:1	WEIGHT	59,707g	A3	SHEET 1/1
-------	-----	--------	---------	----	-----------

Notes

- PCB or heatsink level.
- LED location
- Ensure LED fitting from a product specific 3D model available from www.ledil.com
- For more details about installation please see LEDiL Installation Guide on www.ledil.com